

# Ascomb SYSTEM Power Supply for the zirconium oxide probe ZO2 Series AZO - AL06



Installation and Use Manual  
M.I.U. AZO - AL / 6/10.01  
Cod. J30 - 154 - AZO - E



## General

AZO-AL06 is a switching power supply with remote sense capability. The AZO-AL06 supplies the 12VDC to the heater integrated in the ZO2 probe. Through a 4 wires connection and the remote sensing capability the power supply is able to compensate for the voltage loss on the main and supply the necessary inrush current.

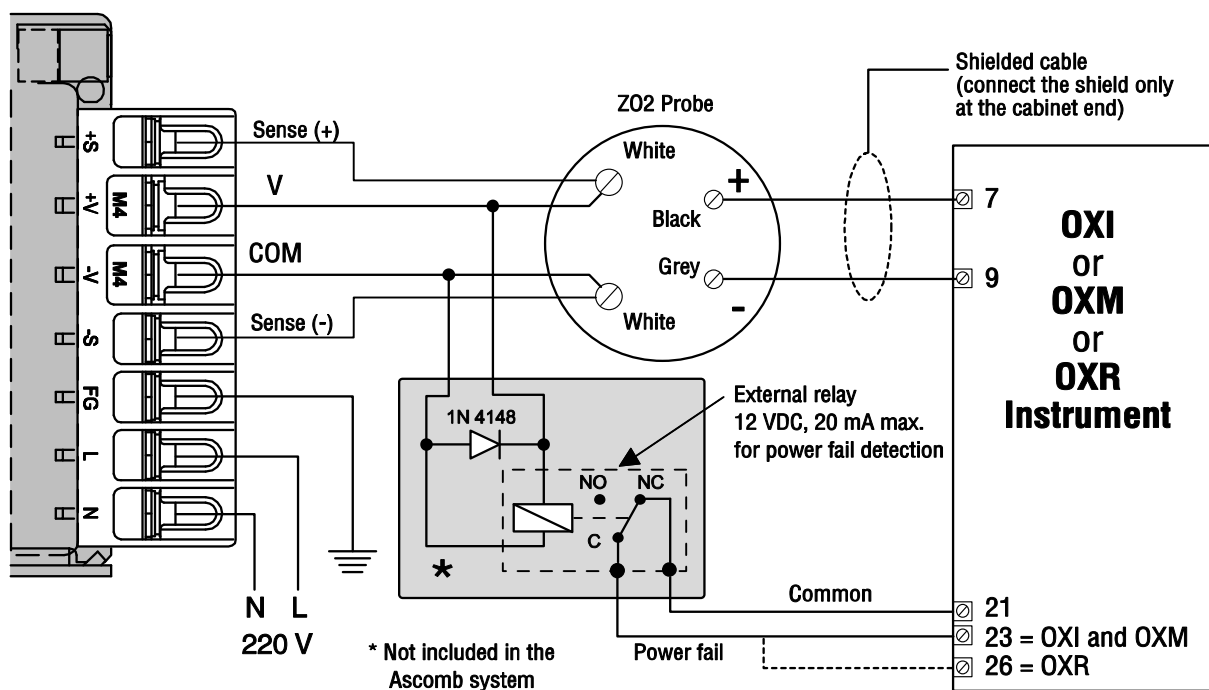
## Technical Data

<b>Input range:</b>	88...265 VAC, 50/60 Hz
<b>Input current at max. load:</b>	4.5 A
<b>Output voltage:</b>	12 VDC stabilized,
<b>Output power:</b>	156 W max.
<b>Output Power connection (note):</b>	Screw terminals
<b>Remote sense connection (note):</b>	Screw terminals
<b>Ambient temperature:</b>	0...50°C
<b>Dimensions:</b>	37 x 82 x 160 mm
<b>Mounting:</b>	with provided mounting bracket
<b>Protection fuse:</b>	5 A
<b>Enclosure rating:</b>	Internal use only

**Note:** The section of the power and sense conductors must be at least 1.5 mm<sup>2</sup>.

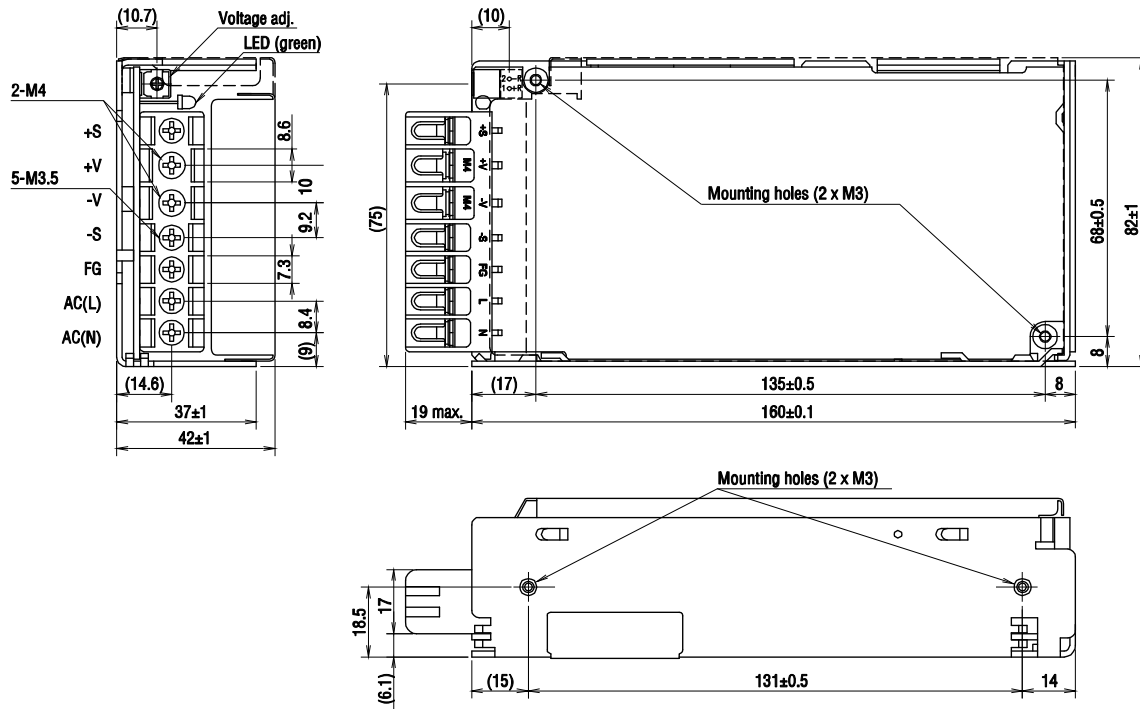
## Electrical connections and dimensions

Electrical connections between the probe ZO2 and the OX series instruments.



**Note:** The section of the power and sense conductors must be  $\geq 1.5 \text{ mm}^2$ .

### Power Supply AZO-AL06 Dimensions



<< M.I.U. AZO - AL / 6/10.01 >>