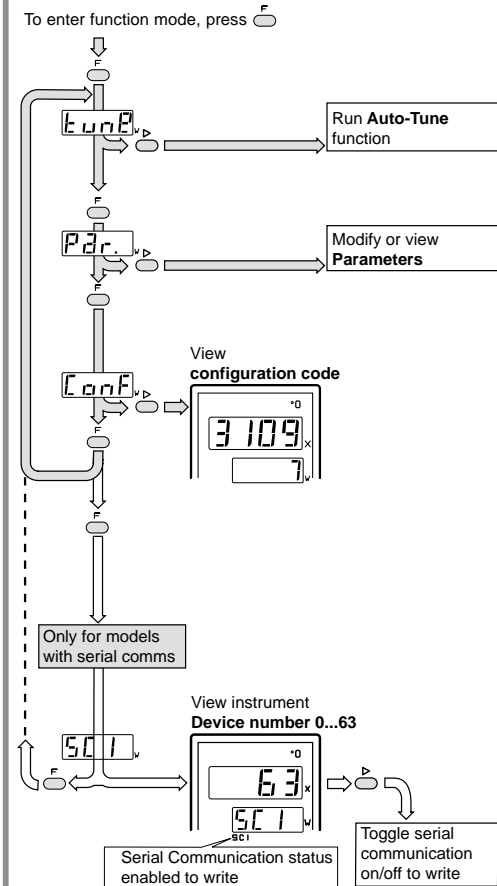
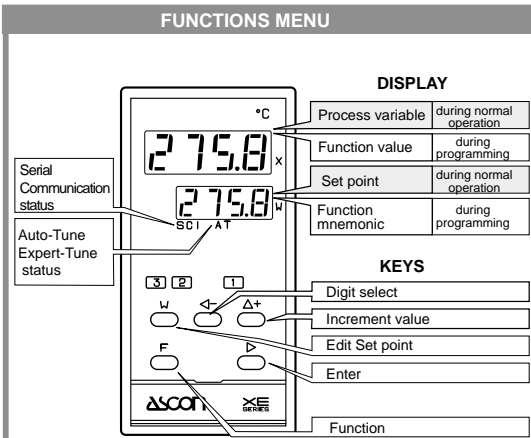


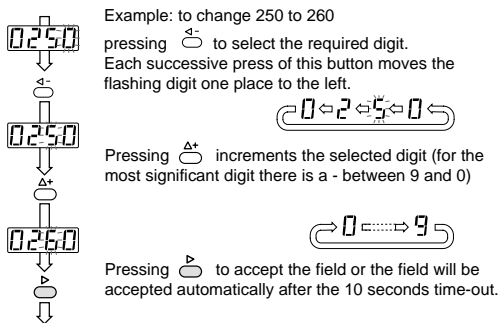
8 • OPERATING INSTRUCTIONS • XE SERIES CONTROLLERS



Note: If **↵** or **↵** is not pressed within 10 seconds the instrument will time-out back to the process variable

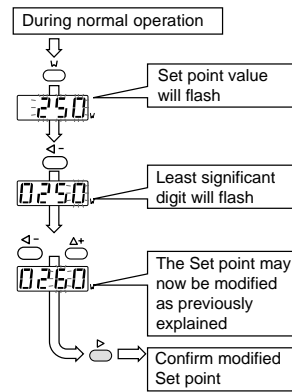
MODIFICATION OF A NUMERIC FIELD

It is possible to modify any numeric field by changing each digit in turn.



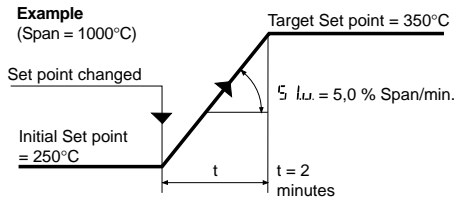
SET POINT

Modify Set Point



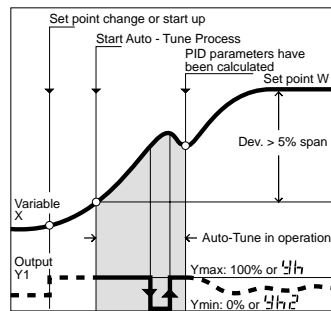
Note: The Set point will be automatically accepted after the 10 seconds time - out.

Note: After the Set point has been modified the new target Set point will be reached after a period of time, depending upon the values entered in the $S_{L.U.}$ (Slope up) and $S_{L.D.}$ (Slope down) gradient parameters.



The target Set point can be viewed at any time from the function menu.

AUTO-TUNE



Auto-tune should be used when the instrument is first installed to provide approximate values for the P.I.D algorithm. When the auto-tune cycle has been completed, the values for P.I.D will be automatically entered.

It is possible to escape from the auto-tune procedure at any time by pressing any key.

The Auto-tune function is available if the following requirements are met:

1. Parameter $R_{L.U.} = 1$
2. The deviation > 5% span

Auto-tune will function correctly:

- if the X variable has to increase or decrease
- if the heat/cool facility is selected the Auto-tune process will calculate the PID parameters for both heat and cool.

